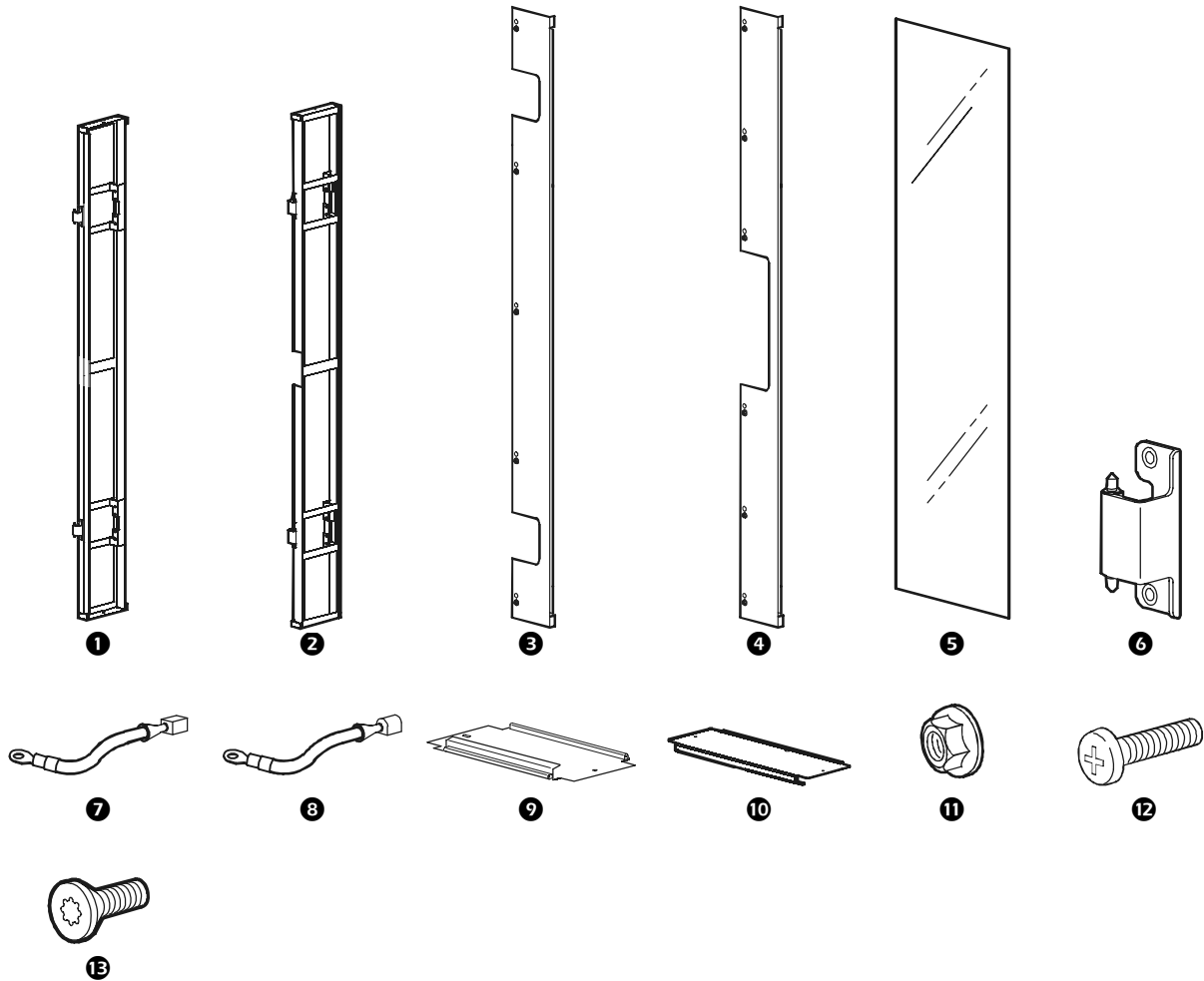
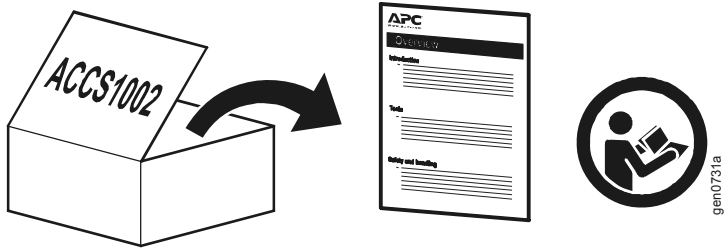


Rack Air Containment Front Assembly for 42-U 600-mm Wide NetShelter[®] SX (ACCS1005)—Installation

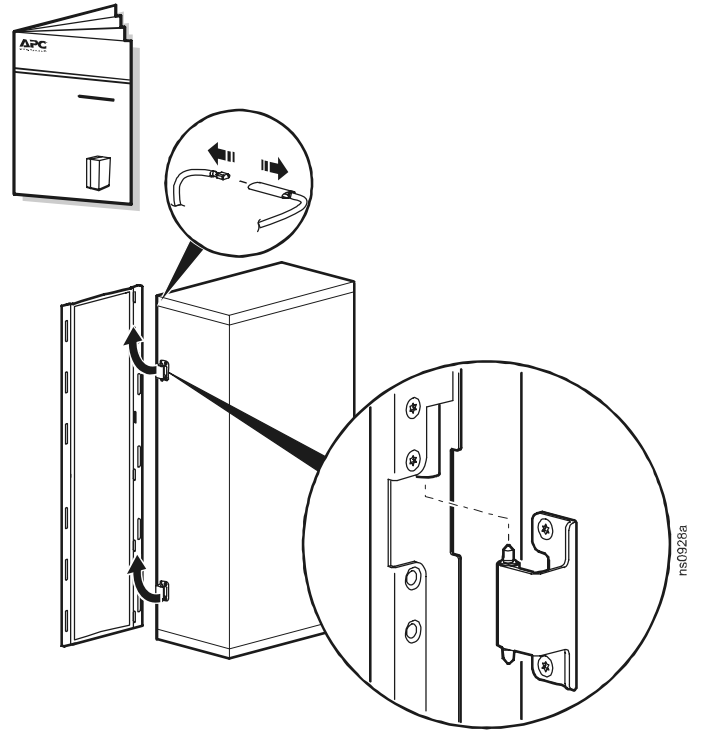


Item	Description	Quantity
①	Left side plenum	1
②	Right side plenum	1
③	Bracket insert, hinge side	1
④	Bracket insert, latch side	1
⑤	Front door Lexan [®] insert	1
⑥	Hinges	2
⑦	Grounding wire, female	1
⑧	Grounding wire, male	1
⑨	Bottom plenum	1
⑩	Top plenum	1
⑪	M6 flanged hex nuts	5
⑫	M4 × 12-mm pan head screw	1
⑬	M6 × 12-mm flat head screws	4

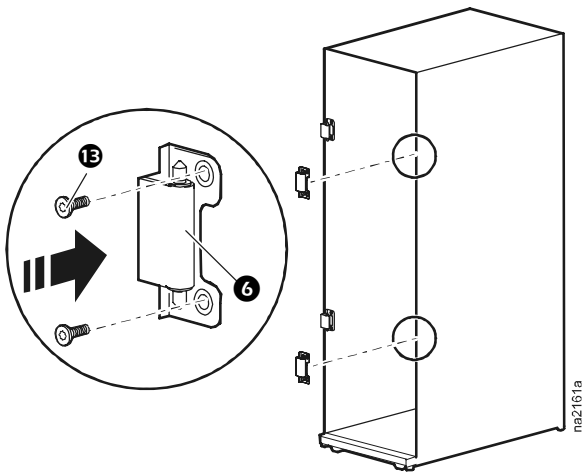
1



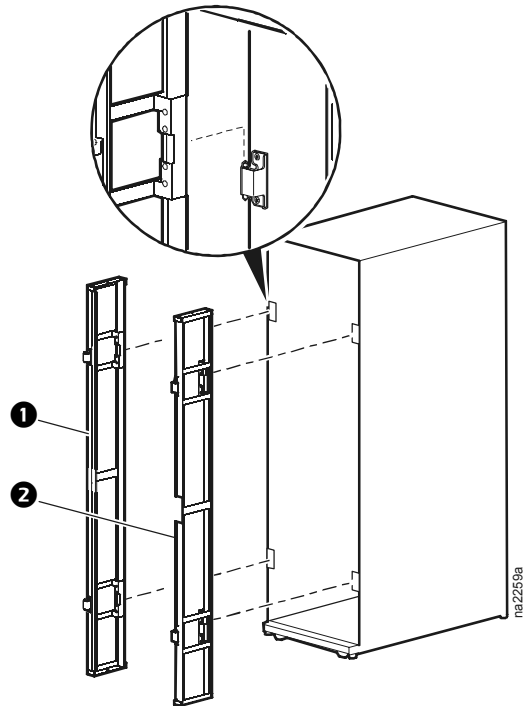
2



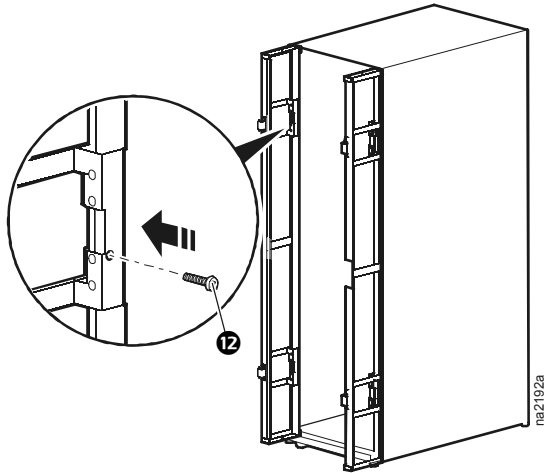
3



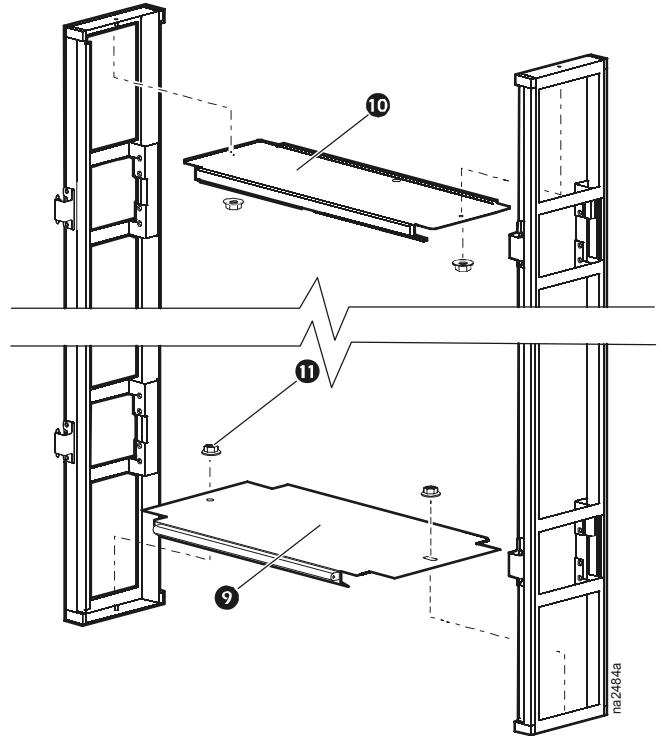
4



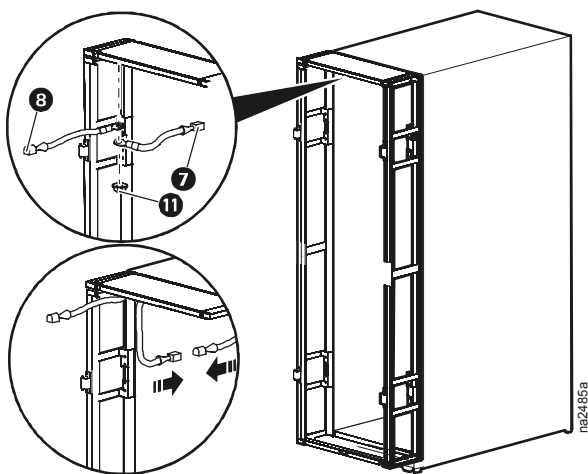
5



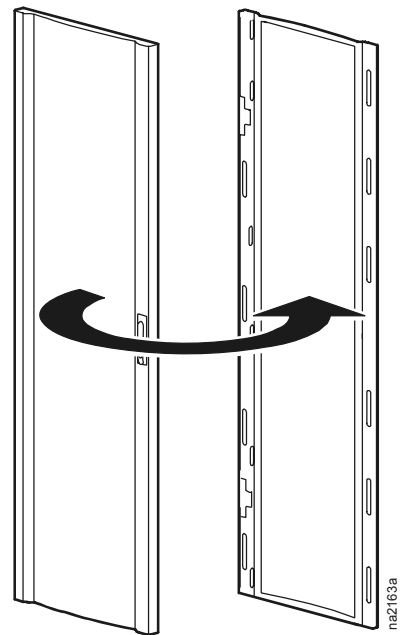
6



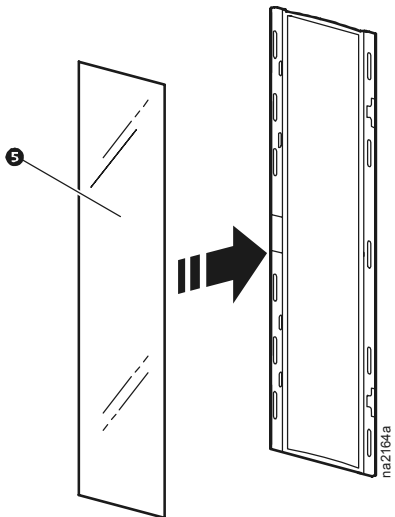
7



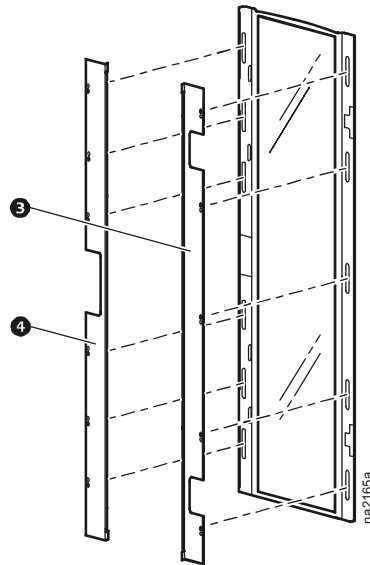
8



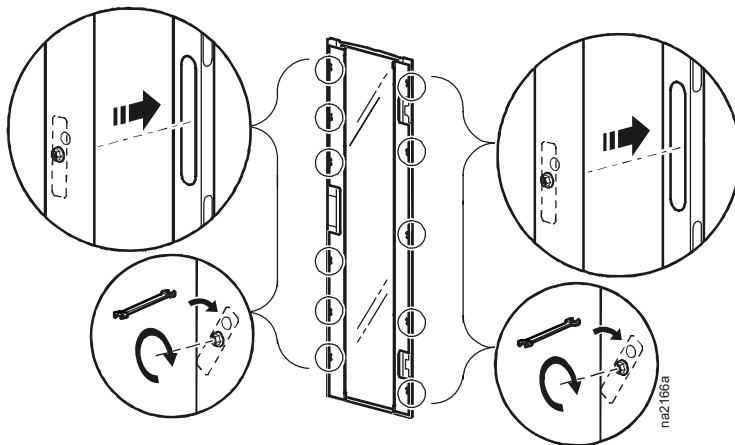
9



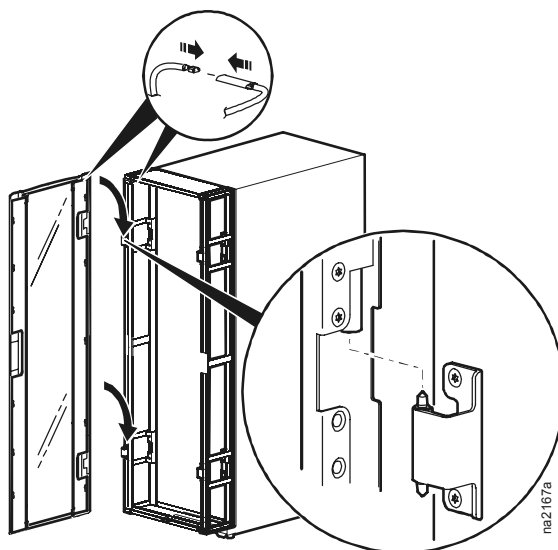
10



11



12



Customer support and warranty information is available at the APC Web site, www.apc.com.

© 2007 American Power Conversion. All rights reserved. All APC trademarks are property of American Power Conversion. Other trademarks are property of their respective owners.

990-2863B
01/2007

